

EFFLUENT PUMPS
Model: EP150



Features

- Heavy duty cast iron construction
- Oil-filled continuous duty rated PSC motor
- Recessed vortex cast iron impeller
- Upper and lower ball bearing design
- 3/4" solids handling
- 2" NPT discharge

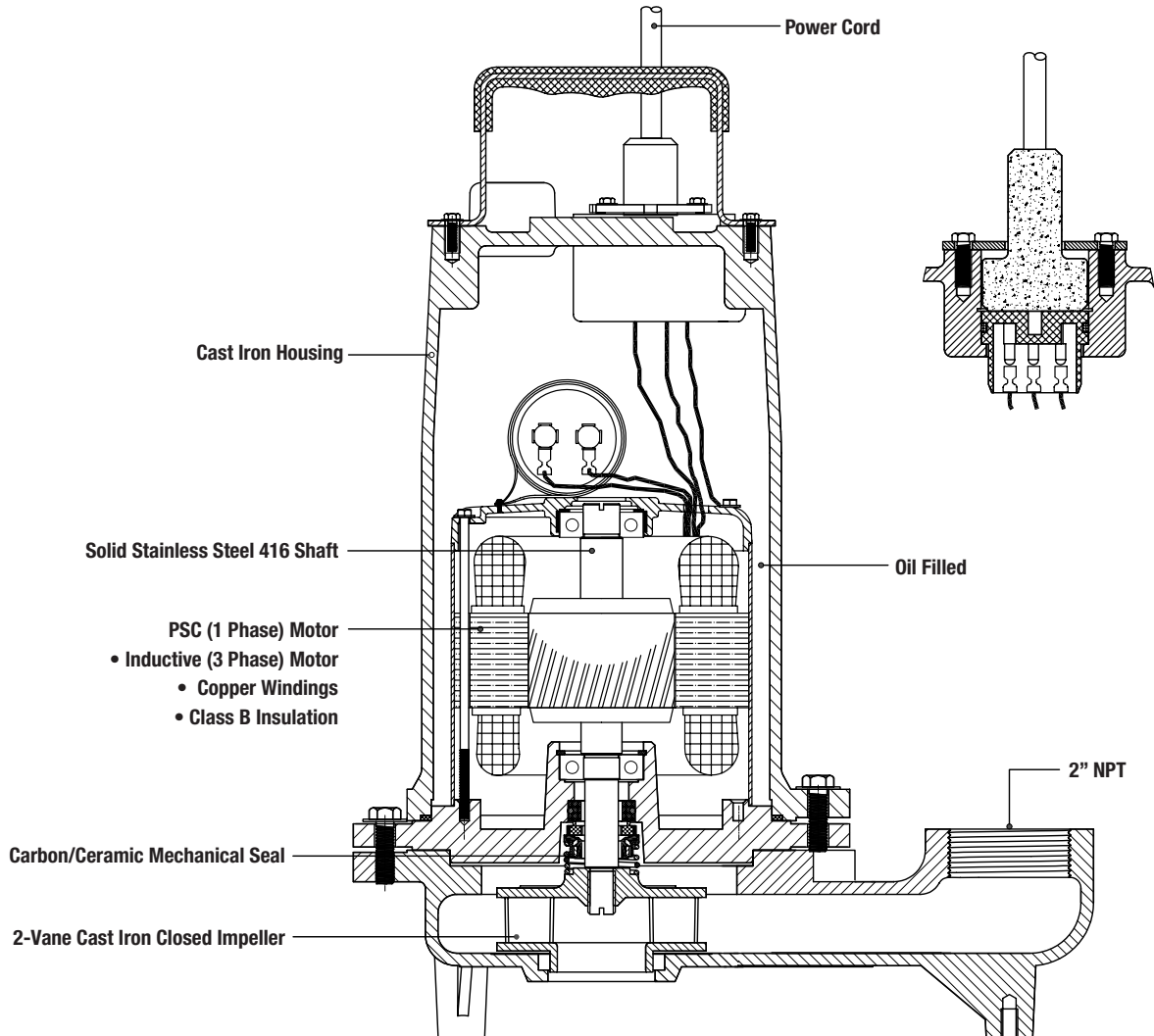
Specifications

Physical Data:	
DISCHARGE SIZE	2" NPT
IMPELLER TYPE	2-Vane Cast Iron Closed
CABLE LENGTH	20'
Liquid Handling:	
MAXIMUM LIQUID TEMP.	104°F – Intermittent
ACCEPTABLE PH RANGE	6-8
Temperature:	
MAXIMUM STATOR	130°C
Technical Data:	
POWER CORD TYPE	SOW
SENSOR CORD TYPE	16/3C
MOTOR HOUSING	Cast Iron
CASING	Cast Iron
IMPELLER	Cast Iron
MOTOR SHAFT	SS430
HARDWARE	SST
"O" RINGS	NBR
MECHANICAL SEAL	Single Mechanical, Carbon Ceramic
UPPER BEARING	6203
LOWER BEARING	6203

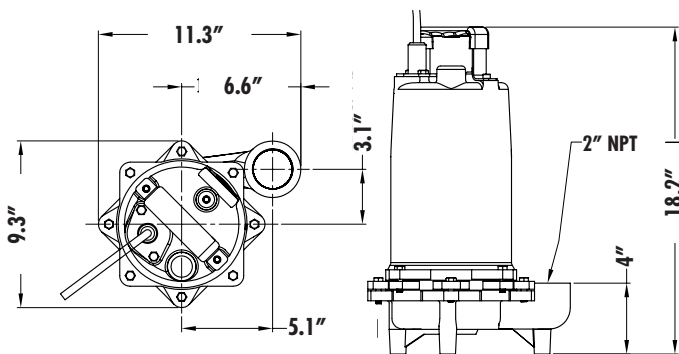
Specifications

MODEL	HP	HZ	VOLTS/PH	RPM	FULL LOAD AMPS	NEMA START CODE	CORD TYPE	CORD SIZE	CORD O.D.	BREAKER SIZE	RUN CAPACITOR
EP150M2-20	1-1/2	60	230/1	3450	15.0	G	SOW	14AWG/3C	0.520-0.575	20A	450V 35MFD±5%
EP150M3-20	1-1/2	60	230/3	3450	7.4	G	SOW	16AWG/4C	0.410-0.460	10A	N/A
EP150M4-20	1-1/2	60	460/3	3450	3.7	G	SOW	16AWG/4C	0.410-0.460	5A	N/A
EP150M5-20	1-1/2	60	208/1	3450	15.2	G	SOW	14AWG/3C	0.520-0.575	20A	450V 35MFD±5%
EP150M6-20	1-1/2	60	208/3	3450	7.8	G	SOW	16AWG/4C	0.410-0.460	10A	N/A

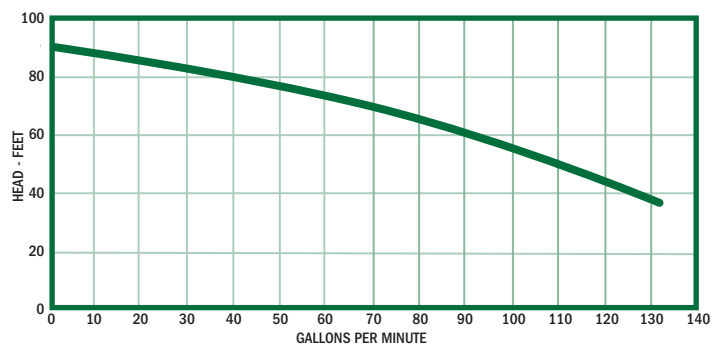
Features



Dimensions



Performance Curve



Ashland

P U M P

Honest, Professional, Dependable

1899 Cottage Street, Ashland, Ohio 44805
 Telephone: 855 281-6830 · Fax: 877 326-1994 · ashlandpump.com